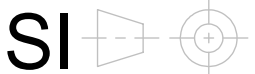
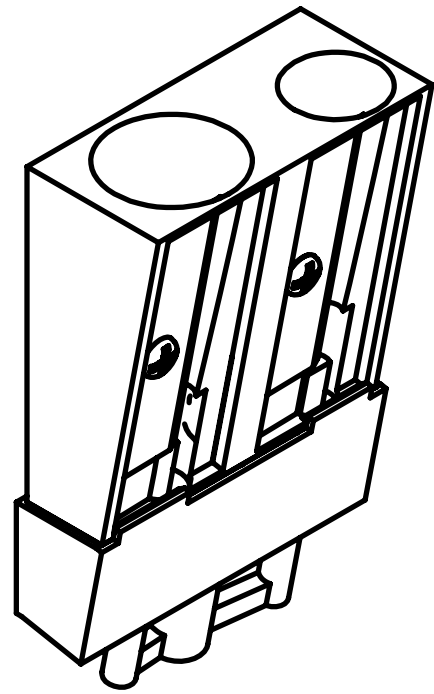
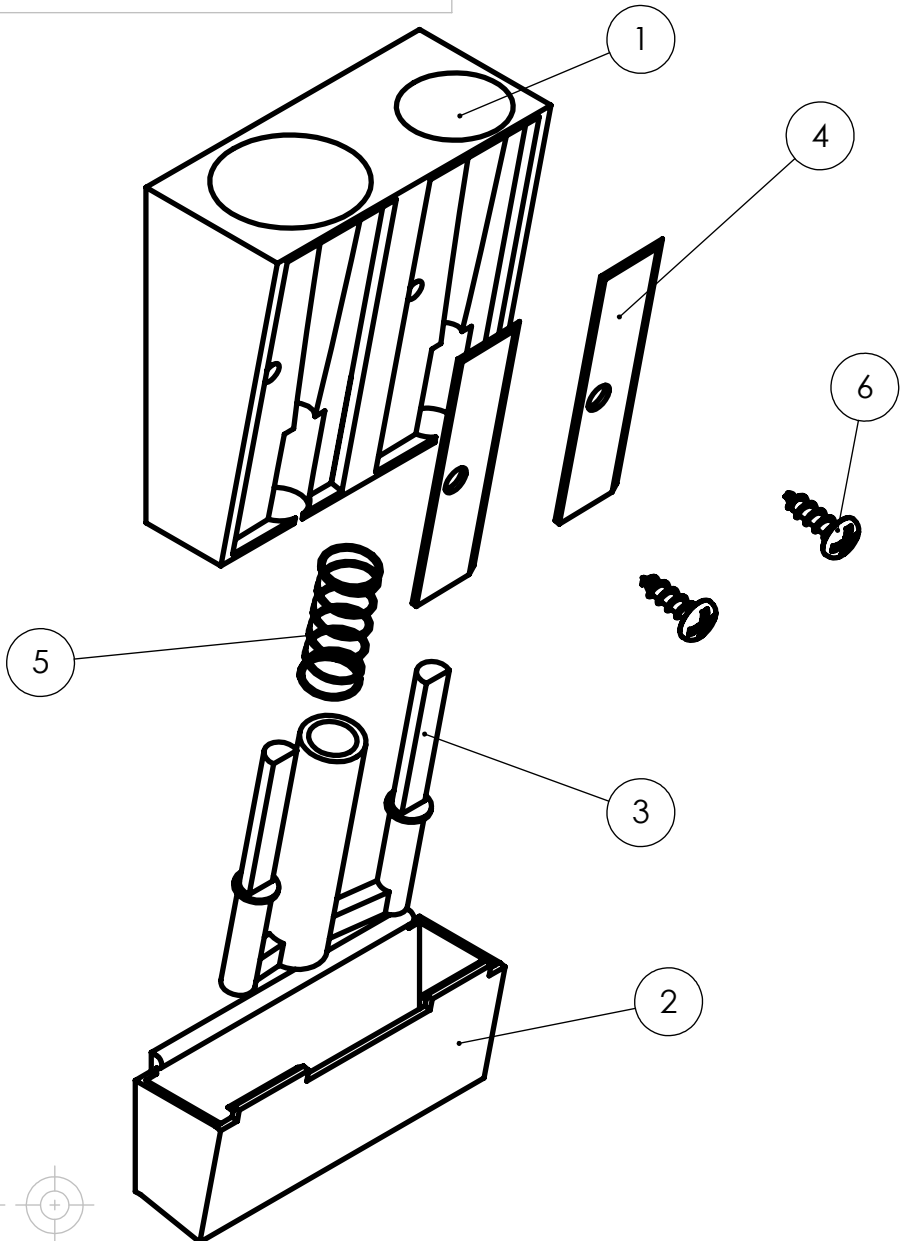


THE INFORMATION CONTAINED IN THIS DRAWING IS THE SOLE PROPERTY OF NC STATE UNIVERSITY. ANY REPRODUCTION IN PART OR WHOLE WITHOUT THE WRITTEN PERMISSION OF NC STATE UNIVERSITY IS PROHIBITED.
FILE: Housings_ass

ITEM NO.	PART NUMBER	QTY.
1	HOUSING	1
2	MOD HOUSE	1
3	BUTTON	1
4	BLADE	2
5	SPRING	1
6	SCREW	2



NORTH CAROLINA STATE UNIVERSITY
P.O. BOX 7801
Raleigh, North Carolina

UNLESS OTHERWISE SPECIFIED
DIMENSIONS ARE IN MILLIMETERS
TOLERANCES ARE:
FRACTIONS DECIMALS ANGLES
+ .XX+ .XX + 1
.XXX+.XXX

DRAWN GRANT, EVAN
MATERIAL ABS, STEEL

DATE 4/24/2017
SCALE 2:1

TITLE EXPLODED SUB ASSM
SIZE A PRT. NO. N/A # 1